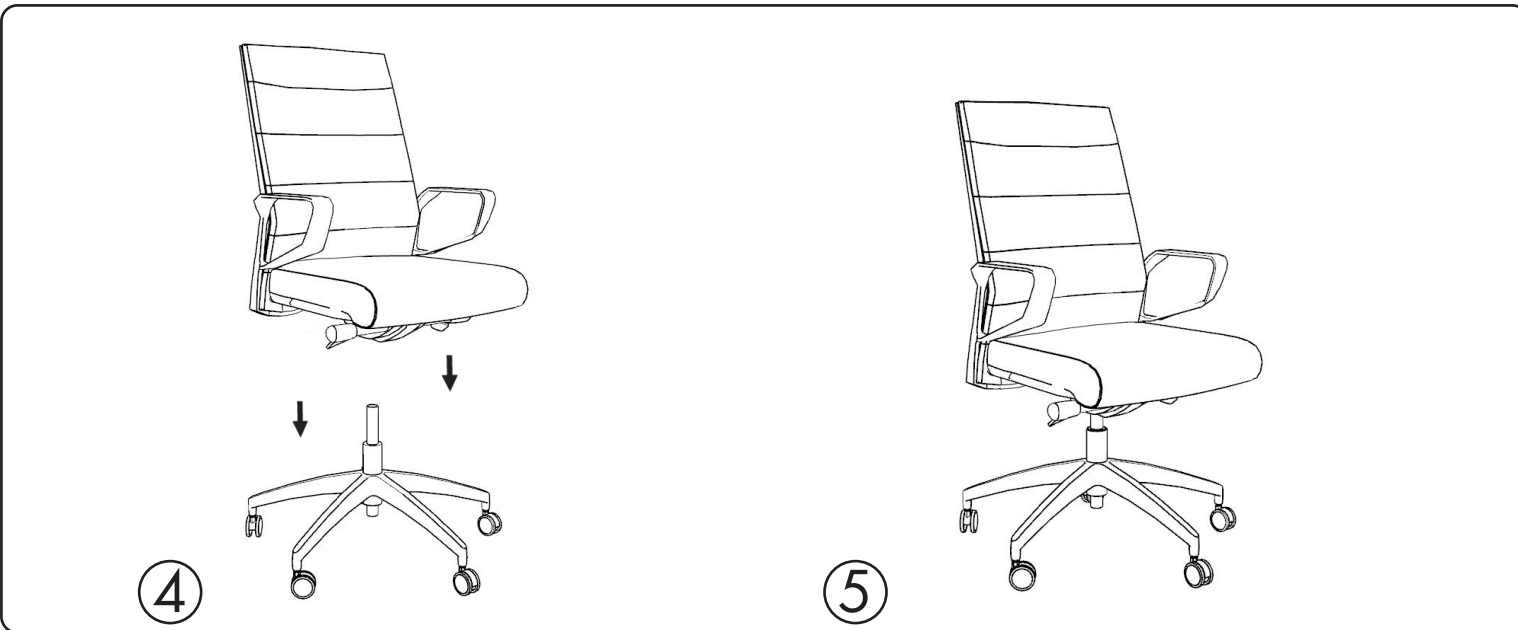
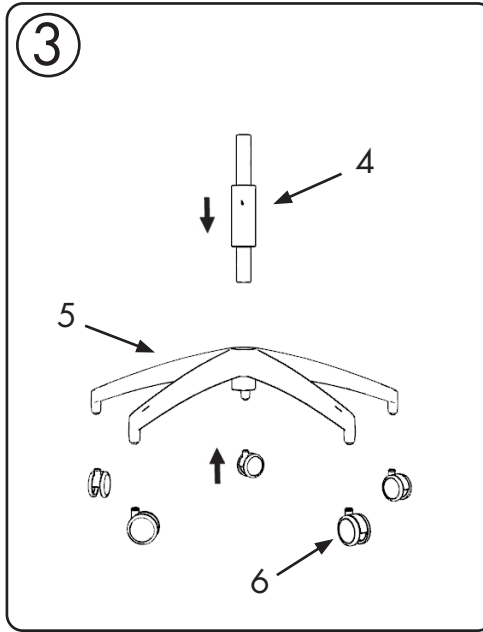
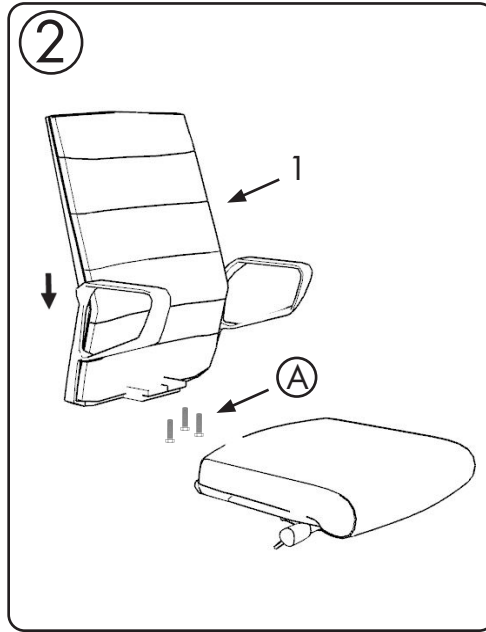
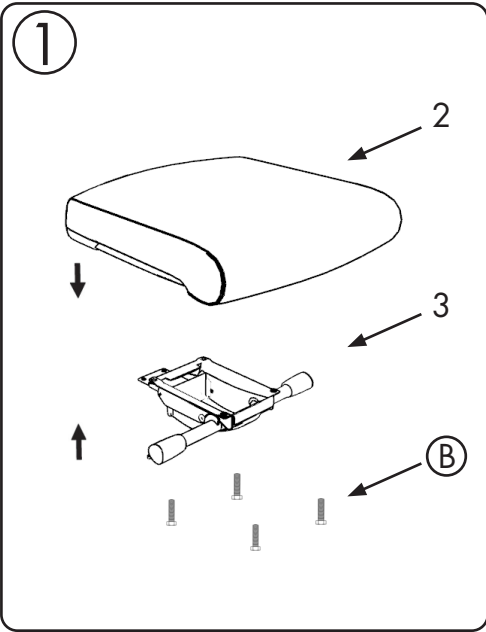
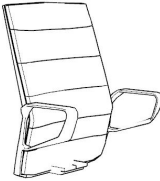

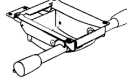








ASSEMBLY INSTRUCTIONS



No	Accessories	Size	Qty
1			1
2			1
3			1
4			1
5			1
6			5
(A)		M8*25	3
(B)		M6*30	4

Tool	Size	Qty
	M4	1

***START BOLTS BY HAND BEFORE USING POWER TOOLS**